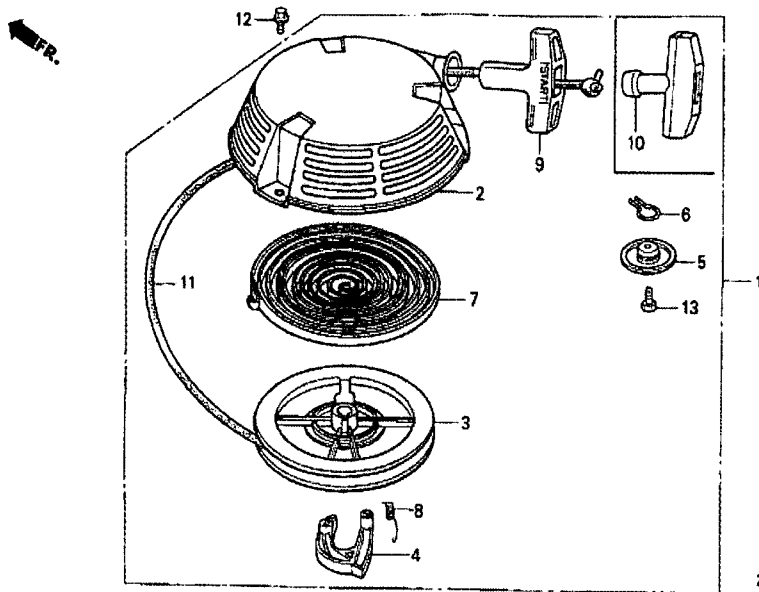


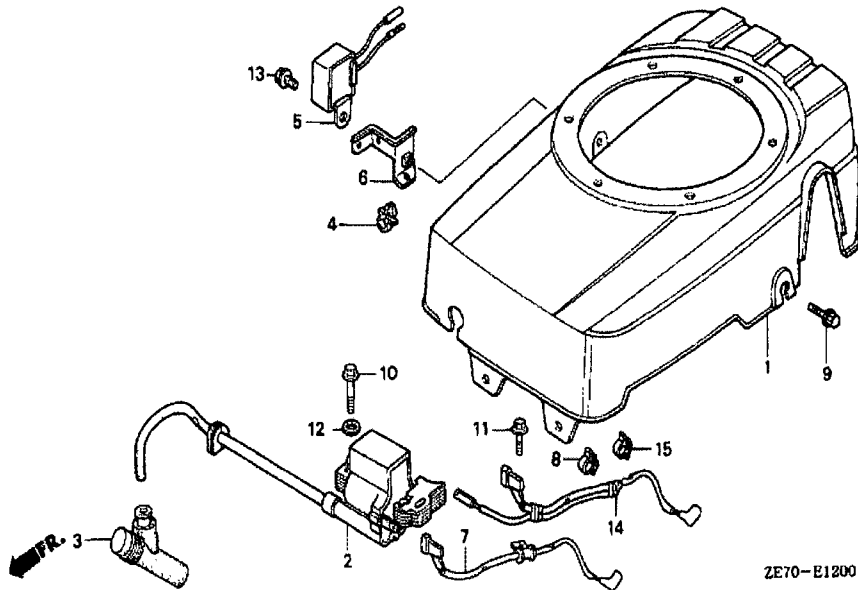
|            |                         |
|------------|-------------------------|
| GXV160(A1) | E-11 RECOIL STARTER (1) |
|------------|-------------------------|



| Ref | Onderdeelnummer | Omschrijving                         | GXV160 | Serienummers |
|-----|-----------------|--------------------------------------|--------|--------------|
| 001 | 28400-ZE7-003ZA | STARTEMONT., HERWIKKELING *R8 *      | 1      |              |
| 002 | 28410-ZE7-003ZA | HUIS COMPL., TERUGSLAG STARTER *R8 * | 1      |              |
| 003 | 28420-ZE7-003   | RIEMSCHIJF, TERUGSLAGSTARTER         | 1      |              |
| 004 | 28422-896-010   | PALRAD, STARTER                      | 1      |              |
| 005 | 28431-896-000   | FRICTIEPLAAT                         | 1      |              |
| 006 | 28441-896-000   | FRICTIEVEER                          | 1      |              |
| 007 | 28442-896-700   | VEER, TERUGSLAGSTARTER               | 1      |              |
| 008 | 28443-896-000   | TERUGSTELVEER                        | 1      |              |
| 009 | 28461-ZE1-003   | KNOP, TERUGSPOEL STARTER             | 1      | 1152219      |
| 010 | 28461-878-810   | GREEP, STARTER                       | 1      | 1152218      |
| 011 | 28462-ZA7-003   | KOORD, TERUGSLAGSTARTER              | 1      |              |
| 012 | 90012-ZE6-000   | FLENSBOUT, 6X8                       | 3      | 1330457      |
| 012 | 95701-0600800   | FLENSBOUT, 6X8                       | 3      | 1330458      |

| <u>Ref</u> | <u>Onderdeelnummer</u> | <u>Omschrijving</u> | <u>GXV160</u> | <u>Serienummers</u> |
|------------|------------------------|---------------------|---------------|---------------------|
| 013        | 92000-060120H          | ZESKANTBOUT 6X12    | 1             | 1330458             |
| 013        | 92101-060120H          | ZESKANTBOUT 6X12    | 1             | 1330459             |

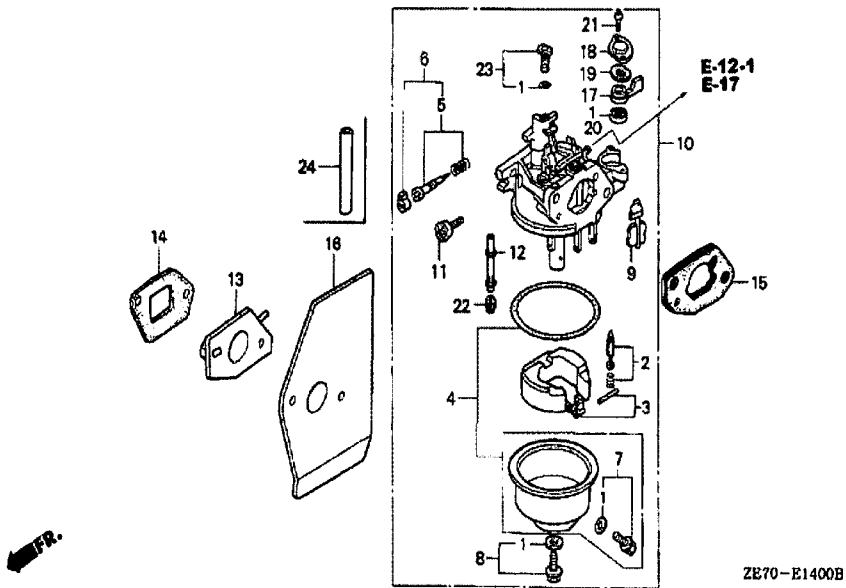
|            |                               |
|------------|-------------------------------|
| GXV160(A1) | E-12 VENTILATOR AFDEKKING (1) |
|------------|-------------------------------|



| Ref | Onderdeelnummer | Omschrijving                    | GXV160 | Serienummers    |
|-----|-----------------|---------------------------------|--------|-----------------|
| 001 | 19610-ZE7-000H  | DEKSEL COMPL., VENTILATOR       | 1      | 1184845         |
| 001 | 19610-ZE7-010ZA | DEKSEL COMPL., VENTILATOR *R8 * | 1      | 1184846         |
| 002 | 30500-ZE7-003   | BOBINESAMENSTEL                 | 1      |                 |
| 002 | 30500-ZE7-013   | BOBINESAMENSTEL                 | 1      | 1184878 1335375 |
| 002 | 30500-ZE7-023   | BOBINESAMENSTEL                 | 1      | 1335376 1349674 |
| 002 | 30500-ZE7-033   | BOBINESAMENSTEL                 | 1      |                 |
| 003 | 30700-ZE6-013   | KAPSAMENSTEL, LAWAAI-OND        | 1      | 1179926 1241175 |
| 003 | 30700-ZE6-023   | KAPSAMENSTEL, LAWAAI-OND        | 1      | 1241176         |
| 003 | 30700-ZE8-003   | KAPSAMENSTEL, LAWAAI-OND        | 1      | 1179925         |
| 007 | 36101-ZE7-000   | SNOER, STOPSCHAKELAAR           | 1      | 1335375         |
| 008 | 36103-ZE1-000   | HOUDER, STOP SCHAKELAAR SNOER   | 1      | 1352352         |
| 009 | 90014-952-000   | FLENSBOUT, 6X14 (CT200)         | 2      |                 |
| 010 | 90121-952-000   | FLENSBOUT, 6X25 (CT200)         | 2      |                 |

| <u>Ref</u> | <u>Onderdeelnummer</u> | <u>Omschrijving</u>           | <u>GXV160</u> | <u>Serienummers</u> |
|------------|------------------------|-------------------------------|---------------|---------------------|
| 011        | 90019-883-000          | FLENSBOUT, 5X10               | 1             | 1352134             |
| 014        | 36101-ZE7-810          | SNOER, STOPSCHAKELAAR (REM)   | 1             | 1002989 1335375     |
| 014        | 36101-ZE7-811          | SNOER, STOPSCHAKELAAR (REM)   | 1             | 1335376             |
| 015        | 90654-SA4-003          | KLEM, DRADENBUNDEL, 6MM (WIT) | 1             | 1357489             |

|            |                  |
|------------|------------------|
| GXV160(A1) | E-14 CARBURATEUR |
|------------|------------------|

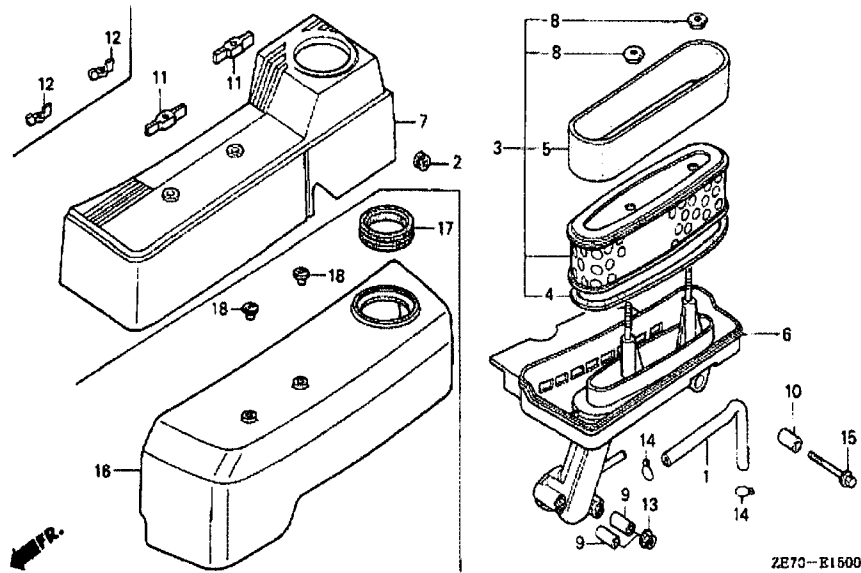


| Ref | Onderdeelnummer | Omschrijving                     | GXV160 | Serienummers    |
|-----|-----------------|----------------------------------|--------|-----------------|
| 001 | 16010-ZE0-015   | PAKKINGSET                       | 1      | BE40A E         |
| 001 | 16010-ZE0-025   | PAKKINGSET                       | 1      | BE40A F         |
| 002 | 16011-ZE0-005   | KLEPSET, VLOTTER                 | 1      |                 |
| 003 | 16013-ZE0-005   | VLOTTERSET                       | 1      |                 |
| 004 | 16015-ZE0-831   | VLOTTERKAMERSET                  | 1      |                 |
| 005 | 16016-ZE0-005   | SCHROEF SET, PILOOT              | 1      |                 |
| 007 | 16024-ZE1-811   | AFTAPSCHROEFSET                  | 1      |                 |
| 008 | 16028-ZE0-005   | SCHROEFSET                       | 1      |                 |
| 009 | 16044-ZE7-005   | CHOKESET                         | 1      | BE40A D         |
| 009 | 16045-ZE7-005   | CHOKESET                         | 1      |                 |
| 010 | 16100-ZE7-005   | CARBURATEURSAMENSTEL (BE40A A)   | 1      | 1132693         |
| 010 | 16100-ZE7-015   | CARBURATEURSAMENSTEL (BE40A B)   | 1      | 1132694 1180000 |
| 010 | 16100-ZE7-025   | CARBURATEURSAMENSTEL (BE40A C/D) | 1      | 1180001 1209045 |

| <u>Ref</u> | <u>Onderdeelnummer</u> | <u>Omschrijving</u>              | <u>GXV160</u> | <u>Serienummers</u> |
|------------|------------------------|----------------------------------|---------------|---------------------|
| 010        | 16100-ZE7-035          | CARBURATEURSAMENSTEL (BE40A E)   | 1             | 1209046 1214225     |
| 010        | 16100-ZE7-045          | CARBURATEURSAMENSTEL (BE40A F)   | 1             | 1214226 1346462     |
| 010        | 16100-ZE7-055          | CARBURATEURSAMENSTEL (BE40A G/H) | 1             | 1346463             |
| 011        | 16124-ZE0-005          | SCHROEF, GASKLEP STOP            | 1             |                     |
| 012        | 16166-ZE7-005          | HOOFDVERSTUIVER                  | 1             | BE40A B             |
| 012        | 16166-ZE7-015          | HOOFDVERSTUIVER                  | 1             | BE40A D BE40A D     |
| 012        | 16166-ZE7-025          | HOOFDVERSTUIVER                  | 1             | BE40A E BE40A F     |
| 012        | 16166-ZE7-W00          | HOOFDVERSTUIVER                  | 1             | BE40A G             |
| 013        | 16211-ZE7-000          | ISOLATOR, CARBURATEUR            | 1             |                     |
| 014        | 16212-ZE7-000          | PAKKING, ISOLATOR                | 1             | 1320208             |
| 014        | 16212-ZE7-M10          | PAKKING, ISOLATOR                | 1             | 1320209             |
| 015        | 16220-ZE6-000          | TUSSENRING COMPL., CARBURATEUR   | 1             | 1002050             |
| 015        | 16220-ZE6-010          | TUSSENRING COMPL., CARBURATEUR   | 1             |                     |
| 016        | 16221-ZE7-000          | PAKKING, CARBURATEUR             | 1             | 1320298             |
| 016        | 16221-ZE7-M10          | PAKKING, CARBURATEUR             | 1             | 1320299 1352534     |
| 016        | 16221-ZE7-M11          | PAKKING, CARBURATEUR             | 1             | 1352535             |
| 017        | 16953-ZE1-812          | HENDEL, KRAAN                    | 1             | BE66C B             |
| 018        | 16954-ZE1-812          | STELPLAAT, HEFBOOM               | 1             | BE66C B             |
| 019        | 16956-ZE1-811          | VEER, KRAANHENDEL                | 1             |                     |
| 020        | 16957-ZE1-811          | PAKKING, BRANSTOFKRAAN           | 1             | BE40A E             |
| 020        | 16957-ZE1-812          | PAKKING, BRANSTOFKRAAN           | 1             | BE40A F             |
| 021        | 93500-030061H          | CILINDERKOP SCHROEF 3X6          | 2             | BE66C B             |
| 021        | 93500-030080H          | CILINDERKOP SCHROEF 3X8          | 2             | BE40A E             |
| 022        | 99101-1240620          | HOOFDSPROEIER, #62               | (1)           | BE40A E BE40A F     |
| 022        | 99101-1240650          | HOOFDSPROEIER, #65               | (1)           | BE40A F             |
| 022        | 99101-1240680          | HOOFDSPROEIER, #68               | 1             | BE40A F             |
| 022        | 99101-1240680          | HOOFDSPROEIER, #68               | 1             | BE40A E BE40A F     |
| 022        | 99101-1240700          | HOOFDSPROEIER, #70               | 1             | BE40A D             |
| 022        | 99101-ZH70620          | HOOFDSPROEIER, #62               | (1)           | BE40A G             |
| 022        | 99101-ZH70650          | HOOFDSPROEIER, #65               | 1             |                     |
| 022        | 99101-ZH70680          | HOOFDSPROEIER, #68               | 1             | BE40A G             |
| 023        | 99204-ZE00350          | JET SET, PILOOT #35              | 1             |                     |
| 023        | 99204-ZE00380          | JET SET, PILOOT #38              | 1             | BE40A E BE40A F     |

| <u>Ref</u> | <u>Onderdeelnummer</u> | <u>Omschrijving</u> | <u>GXV160</u> | <u>Serienummers</u> |
|------------|------------------------|---------------------|---------------|---------------------|
| 023        | 99204-ZE20400          | JET SET, PILOOT #40 | 1             | BE40A G             |

|            |                      |
|------------|----------------------|
| GXV160(A1) | E-15 LUCHTFILTER (1) |
|------------|----------------------|

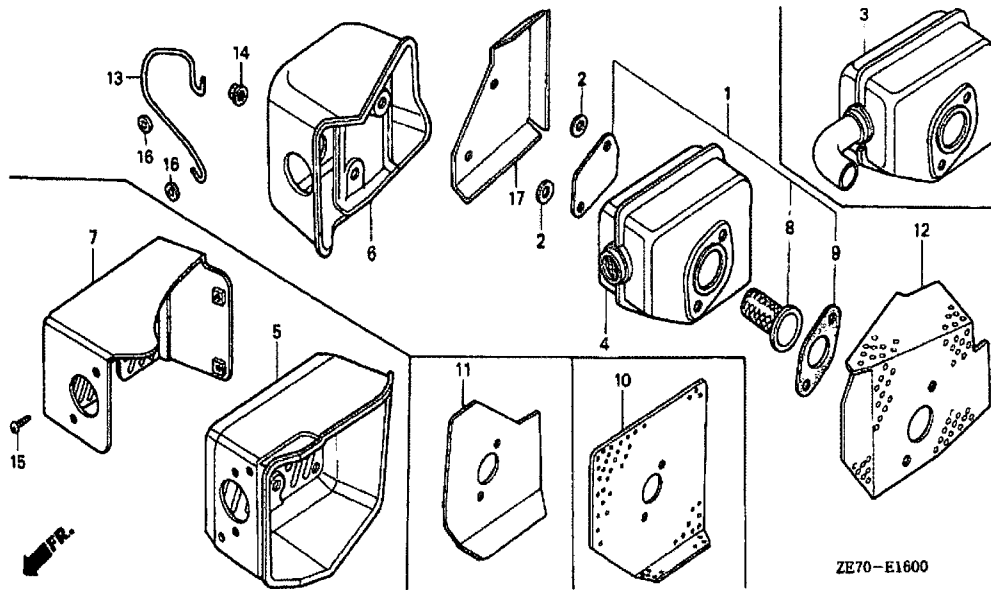


| Ref | Onderdeelnummer | Omschrijving               | GXV160 | Serienummers    |
|-----|-----------------|----------------------------|--------|-----------------|
| 001 | 15721-ZE7-000   | ONTLUCHTINGSBUIS           | 1      |                 |
| 002 | 16613-890-000   | DOORVOERTULLE, CHOKESTANG  | 1      |                 |
| 003 | 17210-ZE7-013   | ELEMENT, LUCHTFILTER       | 1      |                 |
| 004 | 17217-ZE7-013   | PAKKING, ELEMENT           | 1      |                 |
| 005 | 17218-888-003   | FILTER, BUITEN             | 1      |                 |
| 006 | 17220-ZE7-000   | HUIS COMPL., LUCHTFILTER   | 1      | 1002050         |
| 006 | 17220-ZE7-010   | HUIS COMPL., LUCHTFILTER   | 1      | 1002051 1003813 |
| 006 | 17220-ZE7-030   | HUIS COMPL., LUCHTFILTER   | 1      |                 |
| 007 | 17231-ZE7-000   | DEKSEL, LUCHTFILTERDEKSEL  | 1      |                 |
| 008 | 17232-891-000   | DOORVOERTULLE, LUCHTFILTER | 2      |                 |
| 009 | 17238-ZE1-000   | KRAAG, LUCHTFILTER         | 2      | 1002050         |
| 009 | 17238-ZE7-010   | KRAAG, LUCHTFILTER         | 2      | 1002051 1007528 |
| 009 | 17238-ZE7-710   | KRAAG, LUCHTFILTER         | 2      | 1007529         |



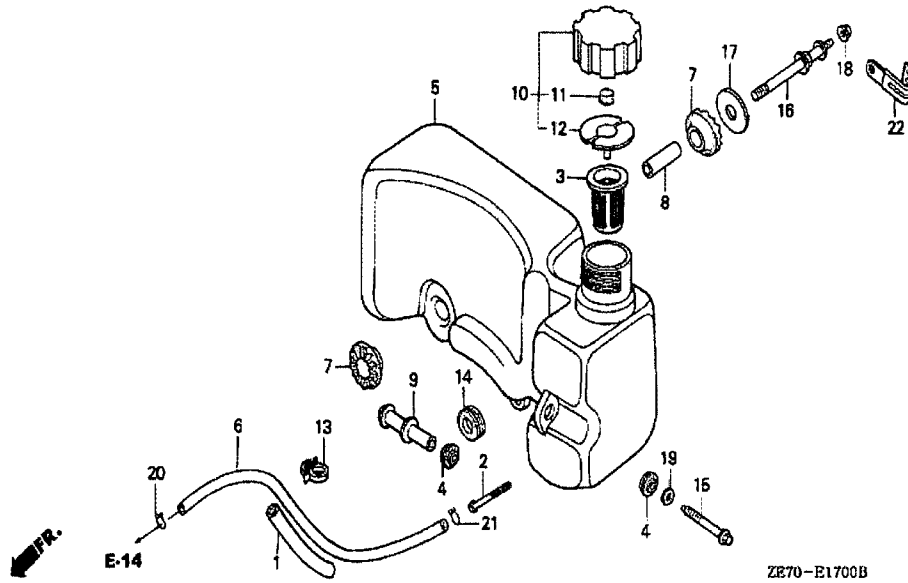
| <u>Ref</u> | <u>Onderdeelnummer</u> | <u>Omschrijving</u>        | <u>GXV160</u> | <u>Serienummers</u> |
|------------|------------------------|----------------------------|---------------|---------------------|
| 010        | 17239-ZE6-300          | KRAAG B, LUCHTFILTER       | 1             |                     |
| 011        | 90203-ZA0-800          | VLEUGELMOER 6MM (ZWART)    | 2             | 1352838             |
| 012        | 90325-044-000          | STELMOER, GEREEDSCHAPSKIST | 2             | 1352839             |
| 013        | 94050-06000            | FLENSMOER 6MM              | 2             |                     |
| 014        | 95002-02120            | SLANGKLEM (B12)            | 2             | 1330458             |
| 015        | 95700-0603500          | FLENSBOUT, 6X35            | 1             |                     |

|            |             |
|------------|-------------|
| GXV160(A1) | E-16 DEMPER |
|------------|-------------|



| Ref | Onderdeelnummer | Omschrijving             | GXV160 | Serienummers    |
|-----|-----------------|--------------------------|--------|-----------------|
| 001 | 06180-ZE6-810   | VONKENVANGERPAKKET       | (1)    |                 |
| 004 | 18310-ZE7-013   | GELUIDDEMPER COMPL.      | 1      | 8117189         |
| 005 | 18320-ZE7-003   | BESCHERMER, GELUIDDEMPER | 1      | 1039228         |
| 005 | 18320-ZE7-013   | BESCHERMER, GELUIDDEMPER | 1      | 1039229         |
| 008 | 18355-888-810   | VONKENVANGER             | (1)    |                 |
| 009 | 18381-ZE6-810   | PAKKING, GELUIDDEMPER    | (1)    |                 |
| 010 | 18381-ZE7-000   | PAKKING, GELUIDDEMPER    | 1      | 1039228         |
| 010 | 18381-ZE7-010   | PAKKING, GELUIDDEMPER    | 1      | 1039229 1290992 |
| 010 | 18381-ZE7-800   | PAKKING, GELUIDDEMPER    | 1      | 1290993         |
| 014 | 90343-ZE6-000   | MOER, ZELFBORGEND 6MM    | 2      |                 |

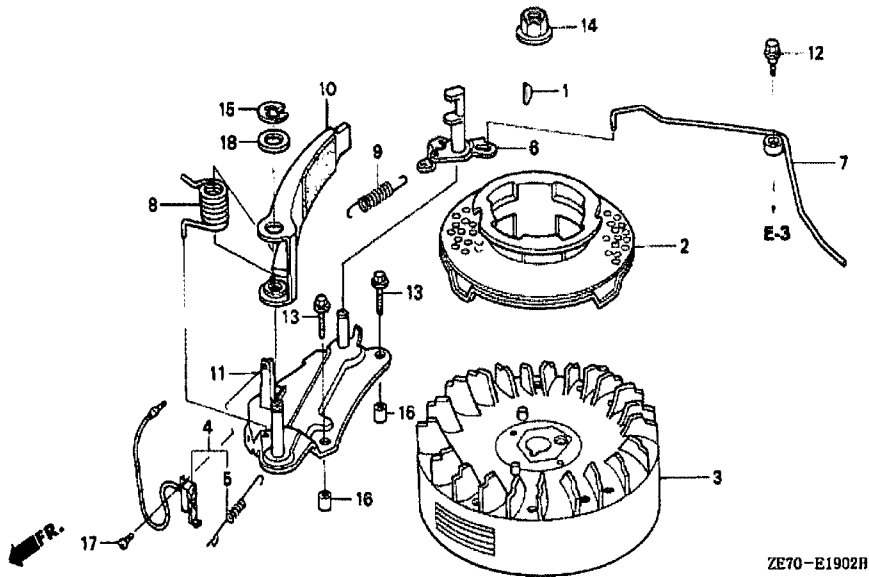
|            |                     |
|------------|---------------------|
| GXV160(A1) | E-17 BRANDSTOF TANK |
|------------|---------------------|



| Ref | Onderdeelnummer | Omschrijving                 | GXV160 | Serienummers    |
|-----|-----------------|------------------------------|--------|-----------------|
| 001 | 16854-ZE1-000   | RUBBER, ONDERSTEUNER (107MM) | 1      | 1265000         |
| 001 | 16854-ZH8-000   | RUBBER, ONDERSTEUNER (107MM) | 1      | 1265001         |
| 002 | 16952-ZA8-800   | BENZINEZEEF                  | 1      |                 |
| 003 | 17505-ZE7-000   | METER, BENZINE PEIL          | 1      | 1007545 1330458 |
| 004 | 17506-ZE7-000   | STELRUBBER, TANK             | 2      |                 |
| 005 | 17510-ZE7-000   | BENZINETANK                  | 1      | 1007544         |
| 005 | 17510-ZE7-010   | BENZINETANK                  | 1      | 1007545         |
| 005 | 17510-ZE7-020   | BENZINETANK                  | 1      |                 |
| 006 | 17512-ZE7-000   | BENZINEBUIS                  | 1      |                 |
| 007 | 17516-896-700   | MONTAGERUBBER B, TANK        | 2      |                 |
| 008 | 17518-ZE7-000   | STELHULS, TANK               | 1      |                 |
| 009 | 17519-ZE7-000   | KRAAG KOMPLEET, TANK         | 1      |                 |
| 010 | 17620-ZE7-000   | DOPSAMENSTEL, BENZINETANK    | 1      |                 |

| <u>Ref</u> | <u>Onderdeelnummer</u> | <u>Omschrijving</u>            | <u>GXV160</u> | <u>Serienummers</u> |
|------------|------------------------|--------------------------------|---------------|---------------------|
| 011        | 17622-888-010          | ONTLUCHTINGSSPONS, BENZINEDOP  | 1             |                     |
| 012        | 17624-ZE7-000          | PAKKING, BENZINEDOP            | 1             | 1007545             |
| 012        | 17624-ZG1-750          | PAKKING, BENZINEDOP            | 1             | 1007544             |
| 013        | 30701-883-000          | KLEM, HOOGSPANNINGSSNOER (8MM) | 1             |                     |
| 014        | 80103-MG2-000          | KUSSEN, A. SPATBORD            | 1             |                     |
| 015        | 90014-888-000          | FLENSBOUT, 6X50                | 1             |                     |
| 016        | 90016-ZE7-000          | BOUT, TANKSTEUN                | 1             |                     |
| 017        | 90455-896-700          | BEVESTIGINGSRING, TANK         | 1             |                     |
| 018        | 94050-06000            | FLENSMOER 6MM                  | 1             |                     |
| 019        | 94103-06000            | GLADDE SLUITRING 6MM           | 1             |                     |
| 020        | 95002-02080            | SLANGKLEM (B8)                 | 1             |                     |
| 021        | 95002-70000            | SLANGKLEM (C11)                | 1             |                     |

|            |                      |
|------------|----------------------|
| GXV160(A1) | E-19-2 VLIEGWIEL (3) |
|------------|----------------------|

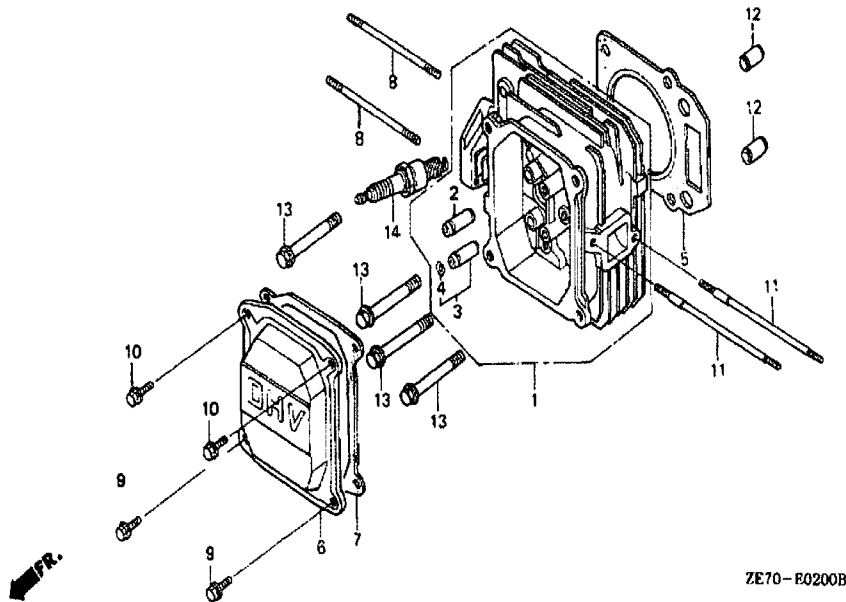


ZE70-E1902H

| Ref | Onderdeelnummer | Omschrijving                   | GXV160 | Serienummers |
|-----|-----------------|--------------------------------|--------|--------------|
| 001 | 13331-357-000   | SPECIALE WOODRUFF-SPIE 25X18   | 1      |              |
| 002 | 28451-ZE7-003   | RIEMSCHIJF COMPL., STARTER     | 1      |              |
| 003 | 31100-ZE7-810   | VLIEGWIEL COMPL. (BAND BRAKE)  | 1      |              |
| 004 | 36100-ZE7-810   | STOPSCHAKELAARSAMENSTEL, MOTOR | 1      | 1002988      |
| 004 | 36100-ZE7-811   | STOPSCHAKELAARSAMENSTEL, MOTOR | 1      | 1002989      |
| 005 | 36121-ZE6-000   | VEER, SCHAKELAAR REGELAAR      | 1      |              |
| 006 | 43140-ZE7-000   | NOK COMPL., REM                | 1      |              |
| 007 | 43145-ZE7-000   | STANG, GASPEDAAL RETOUR        | 1      |              |
| 008 | 75112-ZE6-000   | VEER, REM                      | 1      |              |
| 009 | 75113-ZE6-000   | TERUGSTELVEER, REM             | 1      |              |
| 010 | 75120-ZE6-003   | REM KOMPLEET                   | 1      | 1253635      |
| 010 | 75120-ZE6-013   | REM KOMPLEET                   | 1      | 1253636      |
| 011 | 75130-ZE7-000   | BASISCOMP., REM                | 1      |              |

| <u>Ref</u> | <u>Onderdeelnummer</u> | <u>Omschrijving</u>     | <u>GXV160</u> | <u>Serienummers</u> |
|------------|------------------------|-------------------------|---------------|---------------------|
| 012        | 90015-ZE6-000          | FLENSBOUT, 6MM          | 1             |                     |
| 013        | 90018-ZE1-000          | FLENSBOUT, 6X23 (CT200) | 2             |                     |
| 014        | 90201-878-003          | SPECIALE MOER 14MM      | 1             |                     |
| 015        | 90653-723-000          | E-RING, 10MM            | 1             |                     |
| 016        | 90702-ZE6-000          | DREVEL PEN, 8X9         | 2             |                     |
| 017        | 93500-040080A          | CILINDERKOPSCHROEF 4X8  | 1             |                     |
| 018        | 94102-12800            | GLADDE SLUITRING 12MM   | 1             |                     |

|            |                 |
|------------|-----------------|
| GXV160(A1) | E-2 CILINDERKOP |
|------------|-----------------|

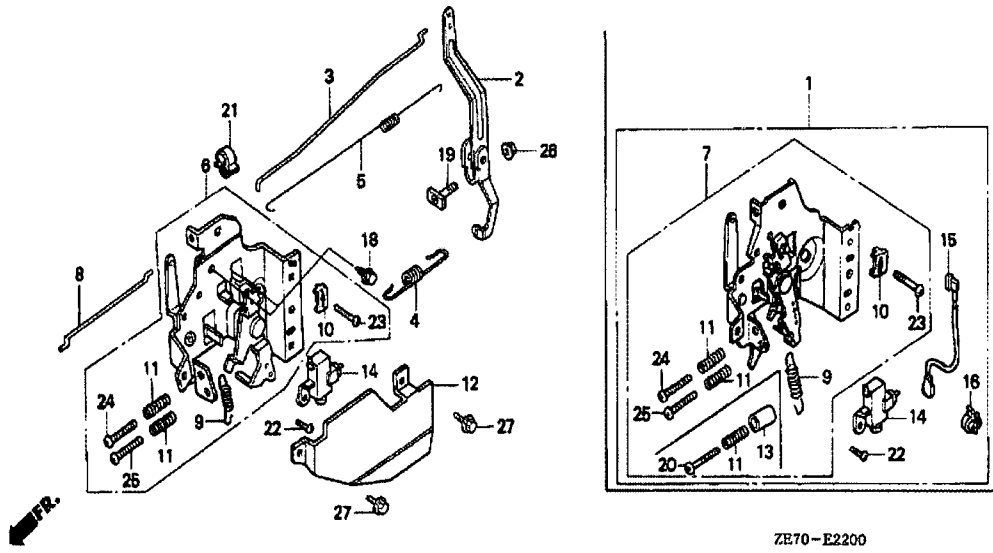


| Ref | Onderdeelnummer | Omschrijving               | GXV160 | Serienummers |
|-----|-----------------|----------------------------|--------|--------------|
| 001 | 12200-ZE7-000   | CILINDERKOP COMPL.         | 1      | 2067037      |
| 002 | 12204-ZE1-305   | GELEIDER, INLAATKLEP (OS)  | (1)    | 1290940      |
| 002 | 12204-ZE1-306   | GELEIDER, INLAATKLEP (OS)  | (1)    |              |
| 003 | 12205-ZE1-315   | GELEIDER, UITLAATKLEP (OS) | (1)    |              |
| 004 | 12216-ZE5-300   | KLEM, KLEPGELEIDER         | 1      |              |
| 005 | 12251-ZE7-000   | PAKKING, CILINDERKOP       | 1      |              |
| 006 | 12310-ZE7-000   | DEKSEL, KOP                | 1      |              |
| 007 | 12391-ZE7-000   | PAKKING, KOPDEKSEL         | 1      | 1320208      |
| 007 | 12391-ZE7-M10   | PAKKING, KOPDEKSEL         | 1      | 1320209      |
| 008 | 90013-ZE7-000   | TAPEINDE 6X82              | 2      |              |
| 009 | 90013-883-000   | FLENSBOUT, 6X12 (CT200)    | 2      | 1330279      |
| 009 | 90016-ZE1-000   | FLENSBOUT, 6X13 (CT200)    | 2      | 1330278      |
| 010 | 90014-952-000   | FLENSBOUT, 6X14 (CT200)    | 2      |              |

| <u>Ref</u> | <u>Onderdeelnummer</u> | <u>Omschrijving</u>       | <u>GXV160</u> | <u>Serienummers</u> |
|------------|------------------------|---------------------------|---------------|---------------------|
| 011        | 90043-ZE1-010          | TAPEINDE 6X109            | 2             | 1350096             |
| 011        | 90043-ZE6-000          | TAPEINDE 6X109            | 2             | 1350097             |
| 012        | 94301-10160            | DREVEL PEN, 10X16         | 2             |                     |
| 013        | 95700-0805000          | FLENSBOUT, 8X50           | 4             |                     |
| 014        | 98079-54846            | BOUGIE (BPR4ES) (NGK)     | (1)           |                     |
| 014        | 98079-54855            | BOUGIE (W14EPR-U) (DENSO) | (1)           |                     |
| 014        | 98079-55846            | BOUGIE (BPR5ES) (NGK)     | 1             |                     |
| 014        | 98079-55855            | BOUGIE (W16EPR-U) (DENSO) | 1             |                     |
| 014        | 98079-56846            | BOUGIE (BPR6ES) (NGK)     | (1)           |                     |
| 014        | 98079-56855            | BOUGIE (W20EPR-U) (DENSO) | (1)           |                     |



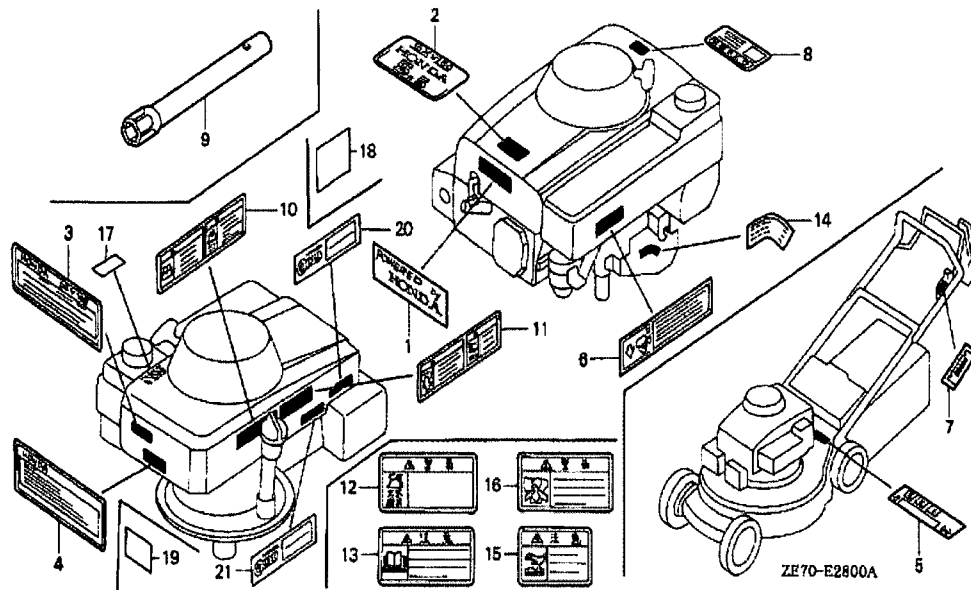
|            |                   |
|------------|-------------------|
| GXV160(A1) | E-22 REGELAAR (1) |
|------------|-------------------|



| Ref | Onderdeelnummer | Omschrijving             | GXV160 | Serienummers    |
|-----|-----------------|--------------------------|--------|-----------------|
| 002 | 16551-ZE7-000   | ARM, REGELAAR            | 1      |                 |
| 003 | 16555-ZE7-000   | REGELAARSTANG            | 1      |                 |
| 004 | 16561-ZE7-000   | VEER, REGELAAR           | 1      | 1002988         |
| 004 | 16561-ZE7-010   | VEER, REGELAAR           | 1      | 1002989 1284536 |
| 004 | 16561-ZE7-020   | VEER, REGELAAR           | 1      | 1284537         |
| 005 | 16562-ZE6-000   | TERUGSTELVEER, SMOORKLEP | 1      |                 |
| 006 | 16570-ZE7-000   | REGELINGSSAMENSTEL       | 1      | 1003660         |
| 006 | 16570-ZE7-010   | REGELINGSSAMENSTEL       | 1      | 1003661 1270690 |
| 006 | 16570-ZE7-020   | REGELINGSSAMENSTEL       | 1      | 1270691         |
| 008 | 16573-ZE7-000   | CHOKESTANG               | 1      |                 |
| 009 | 16576-ZE7-300   | VEER, HEFBOOM            | 1      | 1270691         |
| 010 | 16576-891-000   | HOUDER, KABEL            | 1      |                 |
| 011 | 16584-883-300   | AFSTELVEER, REGELING     | 1      | 1270690         |

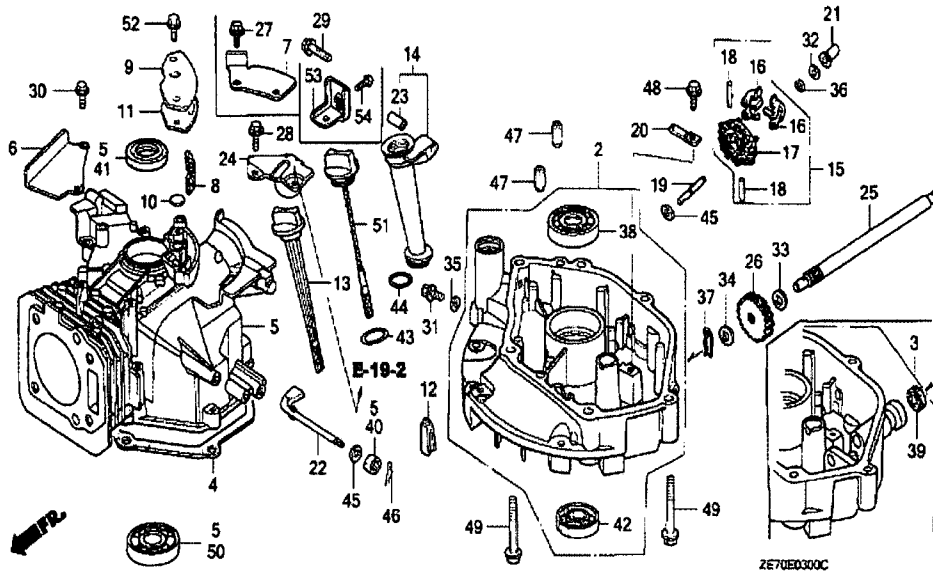
| <u>Ref</u> | <u>Onderdeelnummer</u> | <u>Omschrijving</u>            | <u>GXV160</u> | <u>Serienummers</u> |
|------------|------------------------|--------------------------------|---------------|---------------------|
| 011        | 16584-883-300          | AFSTELVEER, REGELING           | 2             | 1270691             |
| 012        | 16585-ZE7-000          | BESCHERMER, REGELAAR           | 1             | 1357489             |
| 014        | 36100-ZE7-003          | STOPSCHAKELAARSAMENSTEL, MOTOR | 1             | 2076731             |
| 018        | 90013-883-000          | FLENSBOUT, 6X12 (CT200)        | 2             |                     |
| 019        | 90015-ZE5-000          | BOUT, REGELAAR ARM             | 1             | 1004104             |
| 019        | 90015-ZE5-010          | BOUT, REGELAAR ARM             | 1             | 1004105             |
| 021        | 90659-680-013          | KLEM, DRADENBUNDEL             | 1             |                     |
| 022        | 93500-040080A          | CILINDERKOPSCHROEF 4X8         | 1             |                     |
| 023        | 93500-050160A          | CILINDERKOPSCHROEF 5X16        | 1             |                     |
| 024        | 93500-050200A          | CILINDERKOPSCHROEF 5X20        | 1             |                     |
| 025        | 93500-050280A          | CILINDERKOPSCHROEF 5X28        | 1             | 1270691             |
| 026        | 94050-06000            | FLENSMOER 6MM                  | 1             |                     |
| 027        | 95701-0601000          | FLENSBOUT, 6X10                | 2             | 1357489             |

|            |                |
|------------|----------------|
| GXV160(A1) | E-28 LABEL (1) |
|------------|----------------|



| Ref | Onderdeelnummer | Omschrijving                   | GXV160 | Serienummers |
|-----|-----------------|--------------------------------|--------|--------------|
| 001 | 87101-ZE7-000   | EMBLEM, BOVENDEKSEL (E)        | 1      |              |
| 004 | 87105-ZE7-000   | WAARSCHUWINGSMERKTEKEN (H)     | 1      |              |
| 005 | 87525-ZE6-000   | MERKTEKEN, ATTENTIE REM        | 1      |              |
| 006 | 87524-ZE7-000   | WAARSCHUWINGSLABEL, LUCHTFILTE | 1      |              |
| 009 | 99004-21003     | PIJPSLEUTEL (P21)              | 1      |              |
| 014 | 87523-ZE6-000   | MERKTEKEN, REGELING            | 1      |              |
| 018 | 87594-VA4-000   | WAARSCHUWINGSMERKTEKEN, OLIE   | 1      |              |

|            |                  |
|------------|------------------|
| GXV160(A1) | E-3 CILINDER VAT |
|------------|------------------|

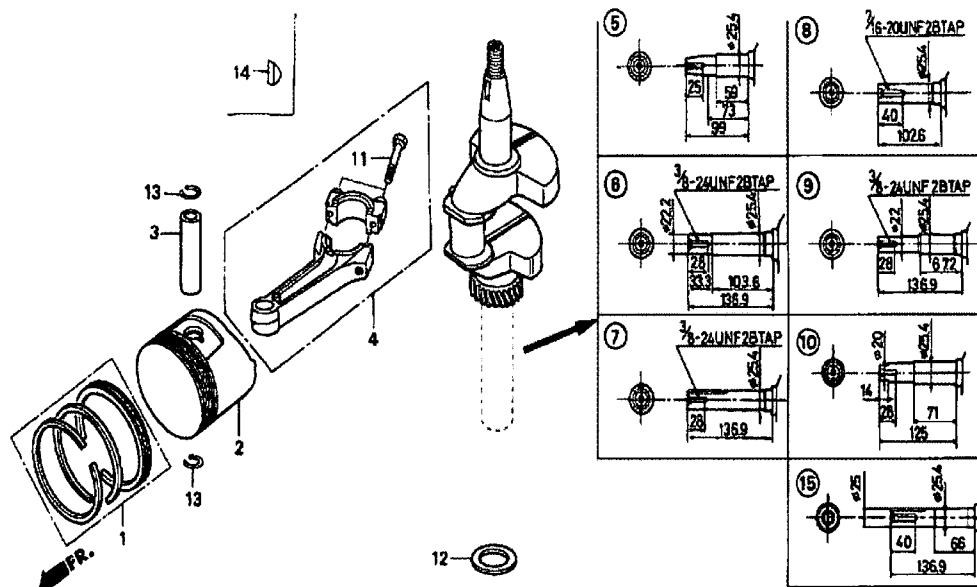


| Ref | Onderdeelnummer | Omschrijving                | GXV160 | Serienummers |
|-----|-----------------|-----------------------------|--------|--------------|
| 002 | 11300-ZE7-010   | CARTERSAMENSTEL             | 1      | 1174114      |
| 002 | 113A0-ZE7-000   | CARTERSAMENSTEL             | 1      | 1174113      |
| 004 | 11381-ZE7-000   | PAKKING, CARTER             | 1      | 1320208      |
| 004 | 11381-ZE7-M10   | PAKKING, CARTER             | 1      |              |
| 005 | 120A0-ZE7-000   | CILINCERBUSSAMENSTEL        | 1      | 1004167      |
| 005 | 120A0-ZE7-010   | CILINCERBUSSAMENSTEL        | 1      | 1004168      |
| 008 | 12367-883-003   | FILTER, ONTLUCHTER          | 1      |              |
| 009 | 12370-ZE7-000   | DEKSEL COMPL., ONTLUCHTER   | 1      |              |
| 010 | 12372-ZE7-000   | ONTLUCHTINGSKLEP            | 1      |              |
| 011 | 12373-ZE7-000   | PAKKING, ONTLUCHTINGSDEKSEL | 1      |              |
| 012 | 15335-ZE7-000   | RUBBER, OLIE RETOUR         | 1      |              |
| 013 | 15620-ZE6-810   | OLIEPEILSTOK COMPL.         | 1      | 1174114      |
| 014 | 15630-ZE6-680   | VERLENGING, OLIEVULLEIDING  | 1      | 1174113      |

| <u>Ref</u> | <u>Onderdeelnummer</u> | <u>Omschrijving</u>         | <u>GXV160</u> | <u>Serienummers</u> |
|------------|------------------------|-----------------------------|---------------|---------------------|
| 014        | 15630-ZE6-810          | VERLENGING, OLIEVULLEIDING  | 1             | 1174114             |
| 015        | 16510-ZE6-000          | REGELAARSAMENSTEL           | 1             |                     |
| 016        | 16511-ZE1-000          | GEWICHT, REGELAAR           | 2             |                     |
| 017        | 16512-ZE6-000          | HOUDER, REGELAARGEWICHT     | 1             |                     |
| 018        | 16513-ZE1-000          | PIN,REGELAAR GEWICHT        | 2             |                     |
| 019        | 16515-ZE6-000          | AS, BESTURING HOUDER        | 1             |                     |
| 020        | 16525-ZE6-000          | PLAAT, BESTURING ASHOUDER   | 1             |                     |
| 021        | 16531-ZE1-000          | SCHUIFSTUK, REGELAAR        | 1             |                     |
| 022        | 16541-ZE7-000          | AS, REGELARM                | 1             |                     |
| 023        | 17240-ZE6-000          | KRAAG, VERLENGING           | 1             |                     |
| 024        | 17517-ZE7-000          | STEUN COMPL., TANK          | 1             |                     |
| 028        | 90014-952-000          | FLENSBOUT, 6X14 (CT200)     | 2             |                     |
| 029        | 90017-883-000          | FLENSBOUT, 6X32 (CT200)     | 1             |                     |
| 031        | 90131-ZE1-000          | BOUT, AFVOERPLUG            | 2             | 1152218             |
| 031        | 90131-ZE1-000          | BOUT, AFVOERPLUG            | 1             | 1152219             |
| 032        | 90451-898-000          | DRUKRING 6MM                | 1             |                     |
| 035        | 90601-ZE1-000          | SLUITRING, AFTAPPLUG 10.2MM | 2             | 1152218             |
| 035        | 90601-ZE1-000          | SLUITRING, AFTAPPLUG 10.2MM | 1             | 1152219             |
| 036        | 90602-ZE1-000          | KLEM, REGELAARHOUDER        | 1             |                     |
| 038        | 91001-894-004          | RADIALE KOGELLAGER          | 1             |                     |
| 040        | 91231-891-003          | OLIEKEERING 6X11X4 (ARAI)   | 1             |                     |
| 041        | 91252-888-003          | OLIEKEERING 25X38X7 (ARAI)  | 1             |                     |
| 042        | 91252-894-004          | OLIEKEERING 25.4X40X7       | 1             |                     |
| 043        | 91301-ZE9-003          | O-RING, 22.1X2.2            | 1             |                     |
| 043        | 91305-679-003          | O-RING, 22.1X2              | 1             | 1039228             |
| 044        | 91301-805-000          | O-RING, 26X2.7              | 1             |                     |
| 045        | 94101-06800            | GLADDE SLUITRING 6MM        | 2             |                     |
| 046        | 94251-08000            | BORGPEN 8MM                 | 1             |                     |
| 047        | 94301-08140            | DREVEL PEN, 8X14            | 2             |                     |
| 048        | 95700-0601208          | FLENSBOUT, 6X12             | 1             |                     |
| 049        | 95700-0805000          | FLENSBOUT, 8X50             | 6             |                     |
| 050        | 96100-6205000          | RADIALE KOGELLAGER 6205     | 1             |                     |
| 051        | 15620-ZE7-000          | OLIEPEILSTOK COMPL.         | 1             | 1174113             |

| <u>Ref</u> | <u>Onderdeelnummer</u> | <u>Omschrijving</u>     | <u>GXV160</u> | <u>Serienummers</u> |
|------------|------------------------|-------------------------|---------------|---------------------|
| 052        | 90014-952-000          | FLENSBOUT, 6X14 (CT200) | 2             |                     |
| 053        | 43143-ZE7-000          | BASISCOMP., HOUDER      | 1             |                     |
| 054        | 93500-050080A          | CILINDERKOPSCROEF 5X8   | 1             |                     |

|            |                   |
|------------|-------------------|
| GXV160(A1) | E-7 KRUKAS/ZUIGER |
|------------|-------------------|



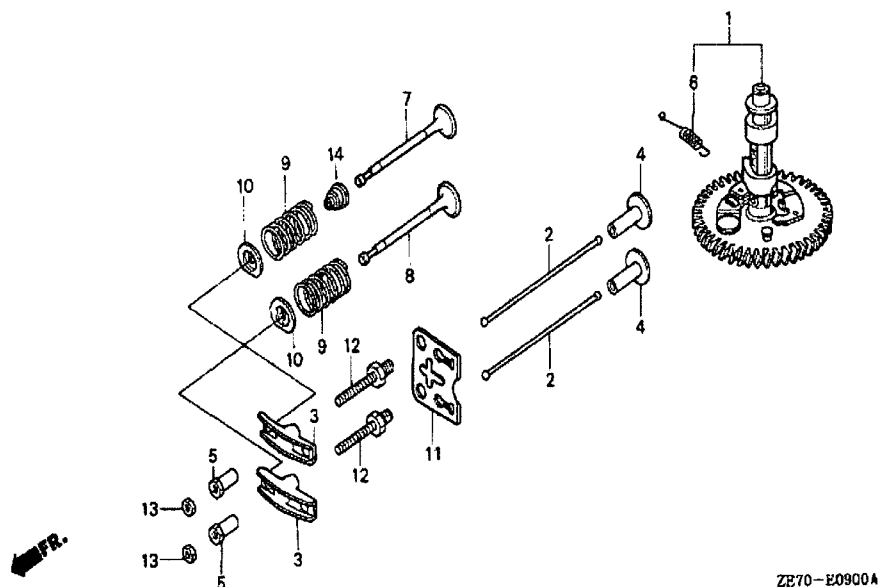
ZE70-E0700C

| Ref | Onderdeelnummer | Omschrijving                   | GXV160 | Serienummers |
|-----|-----------------|--------------------------------|--------|--------------|
| 001 | 13010-ZF1-013   | ZUIGERRINGSET (STD.) (TEIKOKU) | 1      | 1149118      |
| 001 | 13010-ZF1-014   | ZUIGERRINGSET (STD.) (NIPPON)  | 1      | 1149118      |
| 001 | 13010-ZF1-023   | ZUIGERRINGSET (STD.) (TEIKOKU) | 1      | 1149119      |
| 001 | 13010-ZF1-024   | ZUIGERRINGSET (STD.) (NIPPON)  | 1      |              |
| 001 | 13011-ZF1-013   | ZUIGERRINGSET (0.25) (TEIKOKU) | (1)    | 1149118      |
| 001 | 13011-ZF1-014   | ZUIGERRINGSET (0.25) (NIPPON)  | (1)    | 1149118      |
| 001 | 13011-ZF1-023   | ZUIGERRINGSET (0.25) (TEIKOKU) | (1)    | 1149119      |
| 001 | 13011-ZF1-024   | ZUIGERRINGSET (0.25) (NIPPON)  | (1)    |              |
| 001 | 13012-ZF1-013   | ZUIGERRINGSET (0.50) (TEIKOKU) | (1)    | 1149118      |
| 001 | 13012-ZF1-014   | ZUIGERRINGSET (0.50) (NIPPON)  | (1)    | 1149118      |
| 001 | 13012-ZF1-023   | ZUIGERRINGSET (0.50) (TEIKOKU) | (1)    | 1149119      |
| 001 | 13012-ZF1-024   | ZUIGERRINGSET (0.50) (NIPPON)  | (1)    |              |
| 001 | 13013-ZF1-013   | ZUIGERRINGSET (0.75) (TEIKOKU) | (1)    | 1149118      |

| <u>Ref</u> | <u>Onderdeelnummer</u> | <u>Omschrijving</u>                   | <u>GXV160</u> | <u>Serienummers</u> |
|------------|------------------------|---------------------------------------|---------------|---------------------|
| 001        | 13013-ZF1-014          | ZUIGERRINGSET (0.75) (NIPPON)         | (1)           | 1149118             |
| 001        | 13013-ZF1-023          | ZUIGERRINGSET (0.75) (TEIKOKU)        | (1)           | 1149119             |
| 001        | 13013-ZF1-024          | ZUIGERRINGSET (0.75) (NIPPON)         | (1)           |                     |
| 002        | 13101-ZE7-000          | ZUIGER (STD.)                         | 1             | 1149118             |
| 002        | 13101-ZE7-010          | ZUIGER (STD.)                         | 1             | 1149119             |
| 002        | 13102-ZE7-000          | ZUIGER (0.25)                         | (1)           | 1149118             |
| 002        | 13102-ZE7-010          | ZUIGER (0.25)                         | (1)           |                     |
| 002        | 13103-ZE7-000          | ZUIGER (0.50)                         | (1)           | 1149118             |
| 002        | 13103-ZE7-010          | ZUIGER (0.50)                         | (1)           |                     |
| 002        | 13104-ZE7-000          | ZUIGER (0.75)                         | (1)           | 1149118             |
| 002        | 13104-ZE7-010          | ZUIGER (0.75)                         | (1)           | 1149119             |
| 003        | 13111-ZE1-000          | ZUIGERPEN                             | 1             |                     |
| 004        | 13200-ZE7-000          | DRIJFSTANGSAMENSTEL                   | 1             |                     |
| 004        | 13200-ZE7-305          | DRIJFSTANGSAMENSTEL (0,25 ONDERMAATS) | (1)           |                     |
| 006        | 13310-ZE7-000          | KRUKAS COMPL.                         | 1             | 1353296             |
| 006        | 13310-ZE7-010          | KRUKAS COMPL.                         | 1             | 1353297             |
| 011        | 90001-ZE1-000          | BOUT, DRIJFSTANG                      | 2             |                     |
| 013        | 90551-ZE1-000          | KLEM, ZUIGERPEN 18MM                  | 2             |                     |



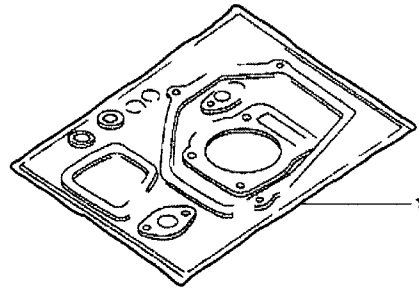
|            |              |
|------------|--------------|
| GXV160(A1) | E-9 NOKKENAS |
|------------|--------------|



| Ref | Onderdeelnummer | Omschrijving            | GXV160 | Serienummers |
|-----|-----------------|-------------------------|--------|--------------|
| 001 | 14100-ZE7-000   | NOKKENASSAMENSTEL       | 1      |              |
| 002 | 14410-ZE1-010   | DRUKSTANG               | 2      |              |
| 003 | 14431-ZE1-000   | KLEPTUIMELAAR           | 2      |              |
| 004 | 14441-ZE1-000   | KLEPSTOTER              | 2      | 1363415      |
| 005 | 14451-ZE1-003   | SPIJL, ZWAAI-ARM        | 2      | 1315993      |
| 005 | 14451-ZE1-013   | SPIJL, ZWAAI-ARM        | 2      | 1315994      |
| 006 | 14568-ZE1-000   | VEER, GEWICHT RETOUR    | 1      |              |
| 007 | 14711-ZE7-000   | KLEP, INLAAT-           | 1      | 2068161      |
| 008 | 14721-ZE7-000   | UITLAATKLEP             | 1      |              |
| 009 | 14751-ZE1-000   | KLEPVEER                | 2      |              |
| 010 | 14771-ZE1-000   | HOUDER, INLAATKLEPVEER  | 2      |              |
| 011 | 14791-ZE1-010   | GELEIDEPLAAT, DRUKSTANG | 1      |              |
| 012 | 90012-ZE0-010   | DRAAIPEN 8MM            | 2      |              |

| <u>Ref</u> | <u>Onderdeelnummer</u> | <u>Omschrijving</u>  | <u>GXV160</u> | <u>Serienummers</u> |
|------------|------------------------|----------------------|---------------|---------------------|
| 013        | 90206-ZE1-000          | AFSTELMOER, DRAAIPEN | 2             |                     |

|            |                     |
|------------|---------------------|
| GXV160(A1) | EOP-1 PAKKINGPAKKET |
|------------|---------------------|



HENG-X0003

| Ref | Onderdeelnummer | Omschrijving  | GXV160 | Serienummers |
|-----|-----------------|---------------|--------|--------------|
| 001 | 061A1-ZE7-000   | PAKKINGPAKKET | 1      | 1320208      |
| 001 | 061A1-ZE7-800   | PAKKINGPAKKET | 1      | 1320209      |